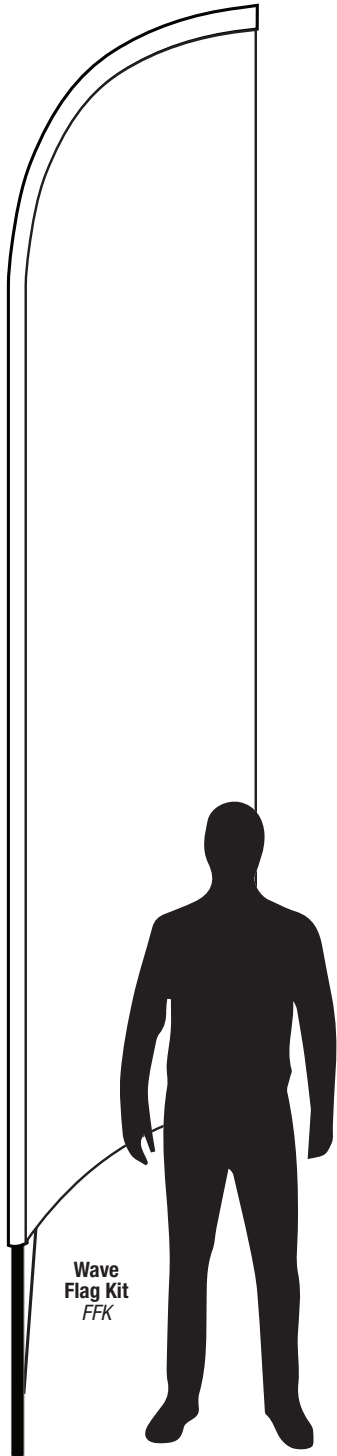


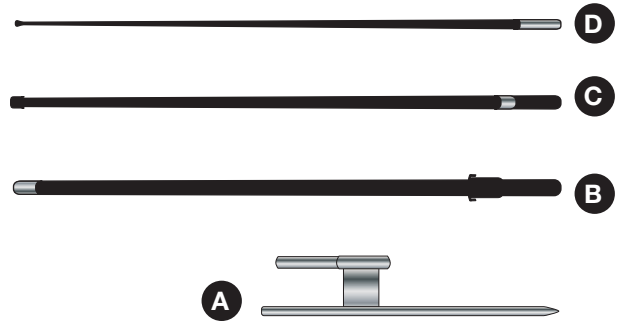
ITEMS: FFK, FFDK

Wave Flag Kit



Wave Flag Kits Include:

- A. 1 Ground Spike
- B. 1 Tapered Pole Segment with Clip
- C. 2 Tapered Pole Segments
- D. 1 Flex Pole Segment
- E. 1 10.6' Wave Flag (*Item FF*)

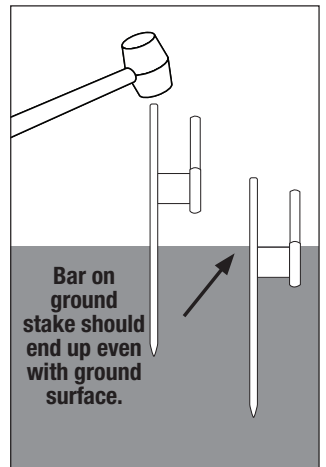


Optional Tools Needed:

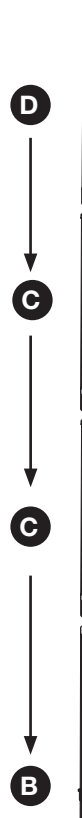
- Rubber Mallet or Hammer
- Level

Ground Stake Installation:

Using a rubber mallet or hammer, pound the pointed end of the ground stake into ground until the top edge of the crossbar is flush with the surface. If possible, as you ease the stake into the ground, use a level to ensure it is completely vertical. It is important to make sure that the stake is as vertically level as possible so your flag will stand up straight and support its' weight in windy conditions.



Flagpole Assembly:



1. To assemble the flagpole, start with the bottom segment, the tapered pole with clip (B), and attach by sliding the wide end of one pole C onto the tapered end of pole B until it is tightened securely and doesn't spin around. Next attach the second tapered pole (C) to the top of connected poles B and C in the same manner.
2. Finish the pole by sliding the flexible pole (D) into the top of the assembled pole. Make sure that the four pole pieces are secured tightly to each other.
3. Starting at the top end of the pole, slide the flag sleeve down the pole and secure the sewn loop at the base of the flag to the clip at the base of pole B.
4. Slide the pole into the open hole in the ground stake and you're done!

Note: If you are having problems with your flagpole spinning around and getting twisted, make sure that the pole segments are secured tightly. The tapered ends will allow the top of the pole to spin around and the flag to get tangled if they are not pushed all the way together.

GREAT AMERICAN'S WAVE FLAG KITS:

- ★ Assembles in minutes!
- ★ Durable for Outdoor Use
- ★ Mix and match designs for quantity discounts!

