

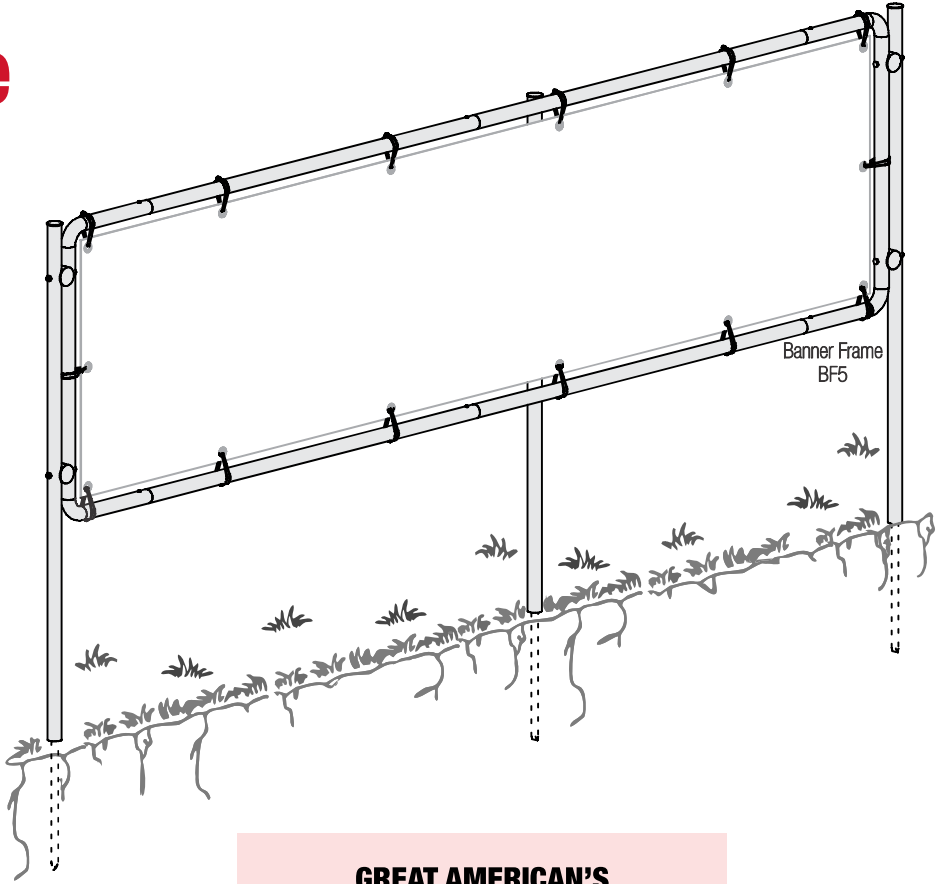
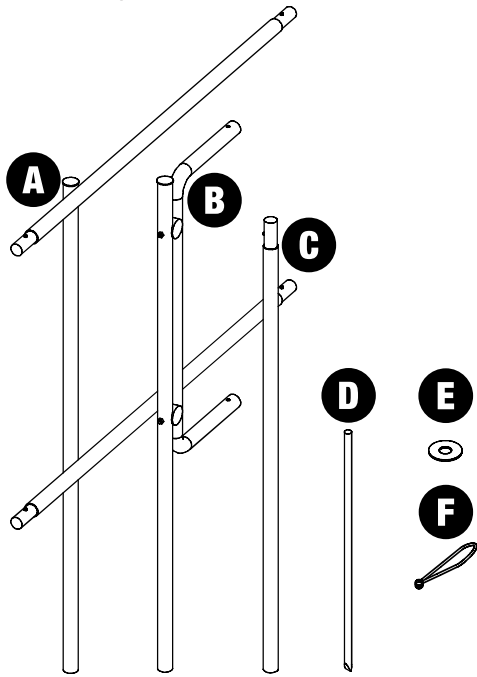
# Banner Frame

**Parts Include:**

- A. 1 Central Frame
- B. 2 Side Frames
- C. 2 Horizontal frames
- D. 3 Fiberglass Ground Stakes
- E. 3 Washers
- F. 14 Bungee cords

**Required Tools for this installation:**

- Hammer
- Personal protective equipment

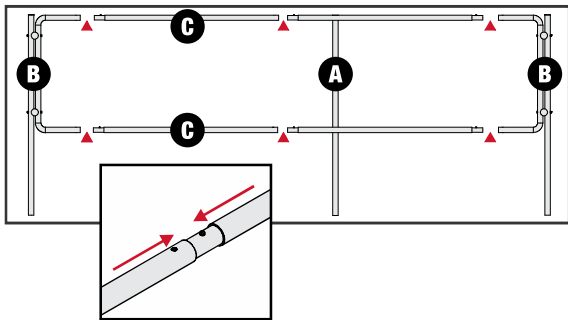


**GREAT AMERICAN'S  
10' x 3' LARGE BANNER FRAME:**

- ★ Easy assembly - install it in minutes!
- ★ Portable - can be moved to any location!

**Frame Assembly:**

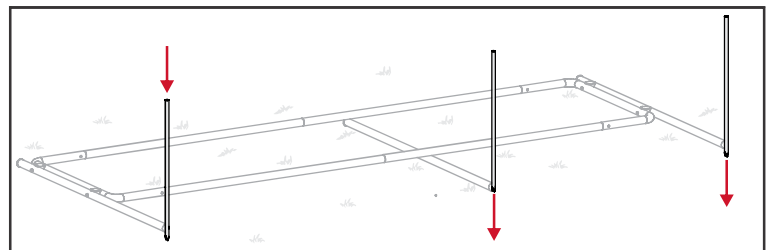
1. Take all frame parts to the location where you'd like the banner to be installed. Lay all parts on the ground as shown in the diagram below. Attach the horizontal frames (C) by sliding them into one of the sides of the center frame (A). Align the spring buttons on the horizontal frames with the holes on the center frame until the button pops out.



2. Attach one of the side frames (B) directly to the center frame (A) and the remaining side frame to the center frame.

**Frame Installation:**

1. Position assembled frame in the location where you'd like the frame to be installed. Make sure that there are no electric, water or gas lines running underneath the install location. Lay frame on the ground carefully in a way that the legs of the frame stay in the same position. Use legs as reference for installing the ground stakes.



2. Install ground stakes by hammering them into the ground. To prevent damage to the ground stake you may use a wood block between the ground stake and your hammer. Insert ground stakes about halfway into the ground. Make sure to protect your hands by using gloves or hand cloth when installing or handling ground stakes.

3. Insert a washer on each ground stake. Lift banner frame from the ground and slide it into the ground stakes. Install your preferred banner using the provided bungee cords.

