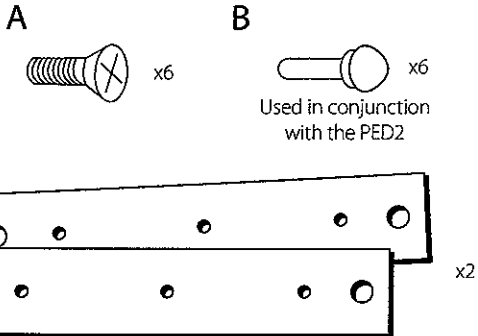




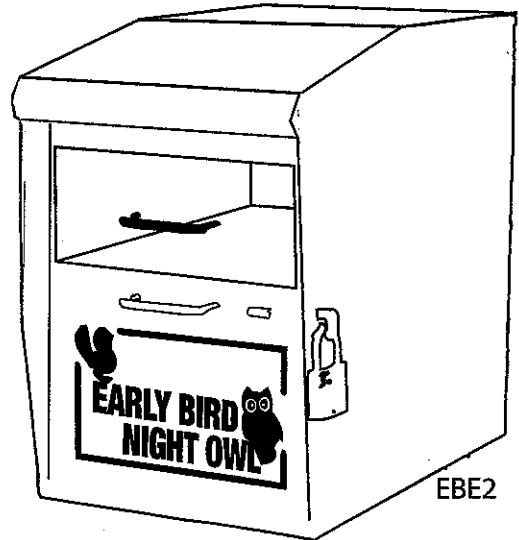
EBE2 Wall Mount Early Bird/Night Owl Lock Box Installation

Parts

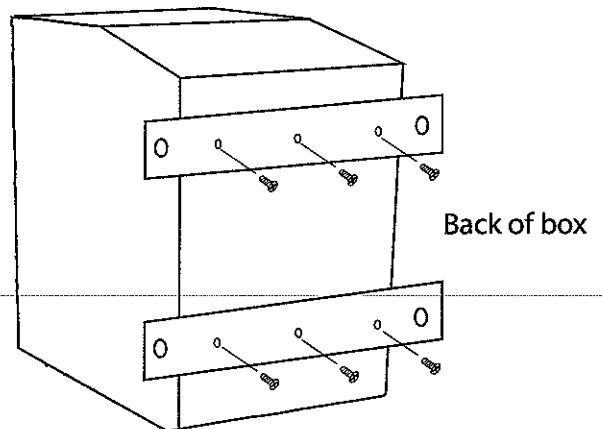


To assemble on wall:

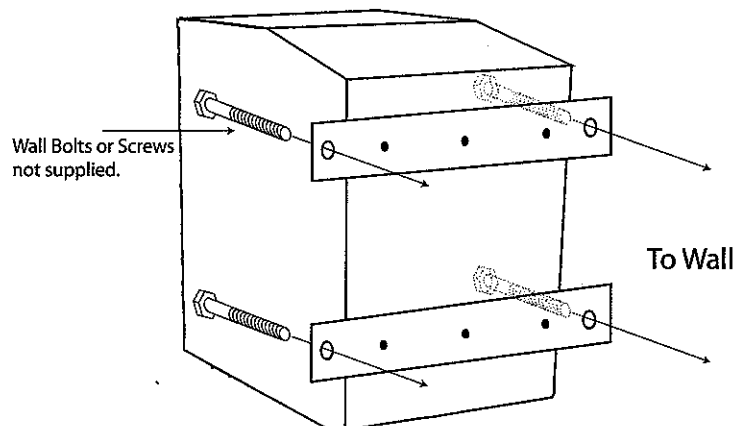
1. Start by placing one Bracket(C) on the top back side of the EBE2 box and attach with three screws(A).
2. Then repeat the same process on the the lower back of the EBE2 box.
3. Once both brackets are in place the unit is ready to be installed on a wall with the appropriate hardware(not included).



1



2



If you need any additional help with this product please call us at
1-800-231-0329.



EBE2PED Pedestal Mount Early Bird/Night Owl Lock Box Installation

Parts

A



x4

B



x4

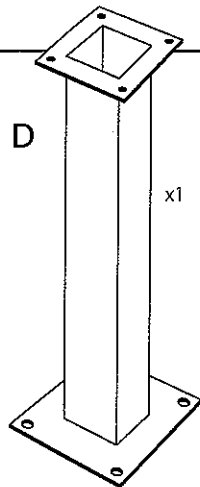
C



x6

Part included with EBE2 hardware.

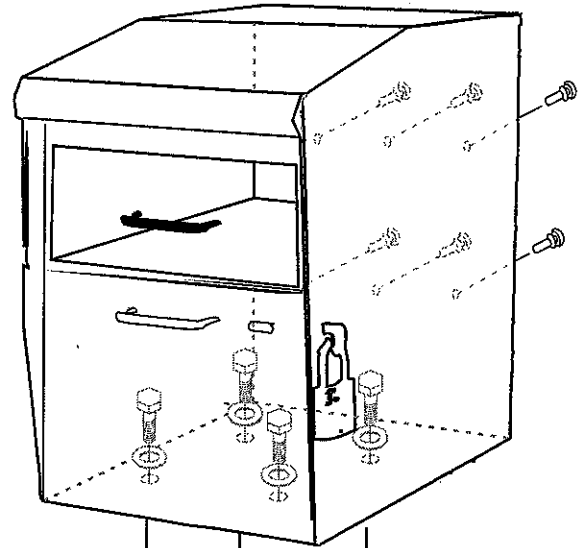
D



x1

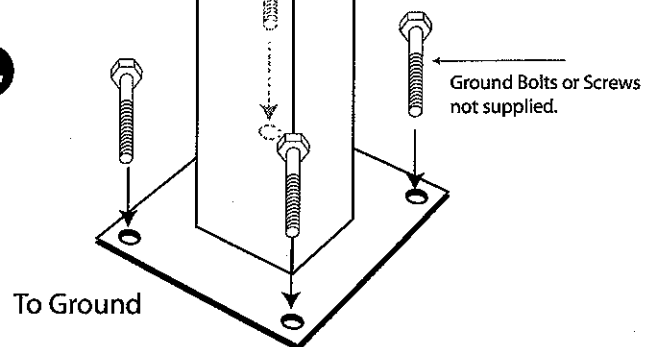
To assemble on pedestal:

1. Start by placing four screws(A) into the bottom of the inside of the EBE2 Box to the top of the Pedestal(C).
2. Then push six plastic plugs(B) in to the holes in the back panel of the EBE2 Box to prevent the unit from leaking when in incimate weather.
3. Now install the unit onto the ground using the appropriate hardware (not included).



3

4



If you need any additional help with this product please call us at
1-800-231-0329.